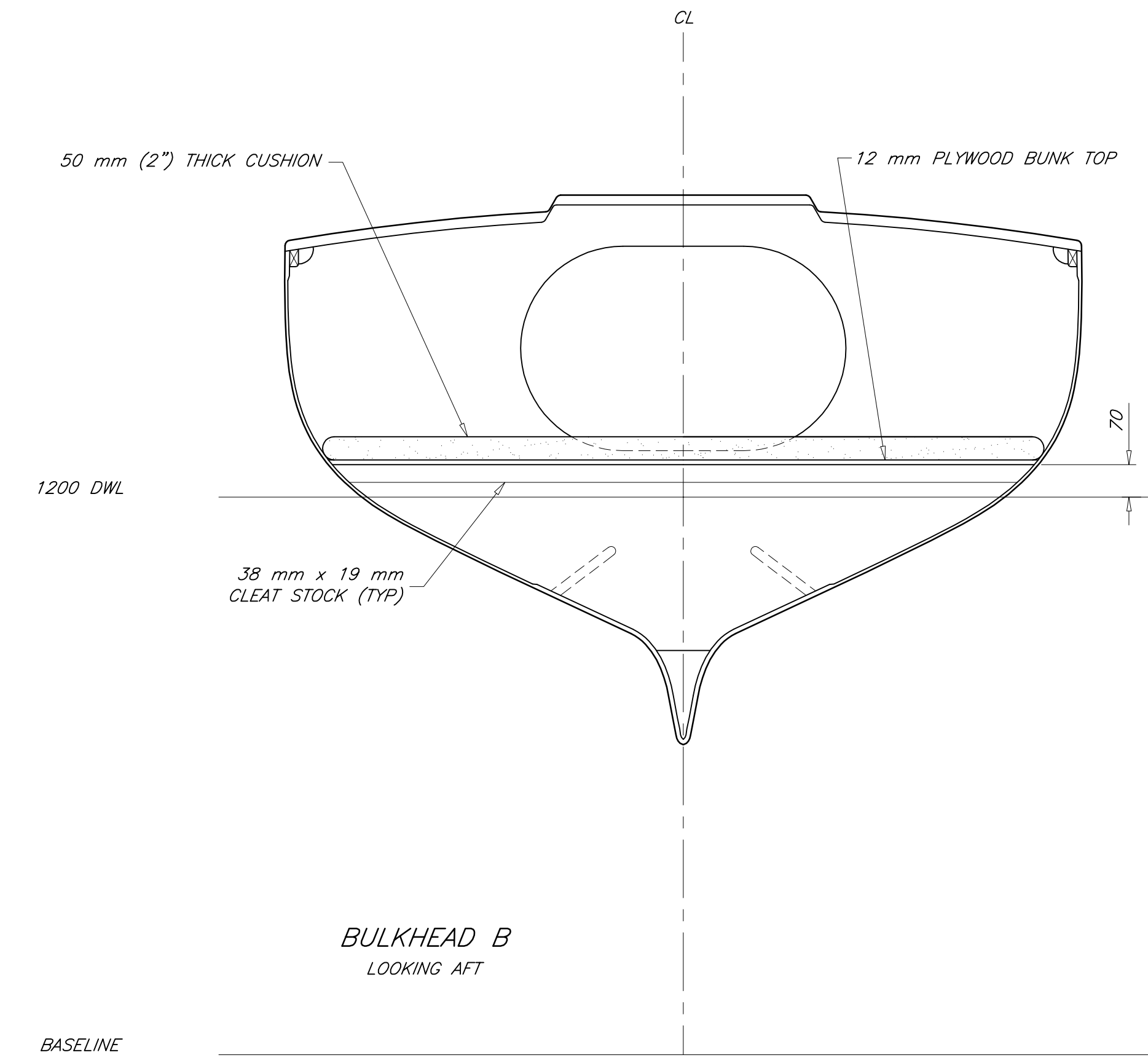
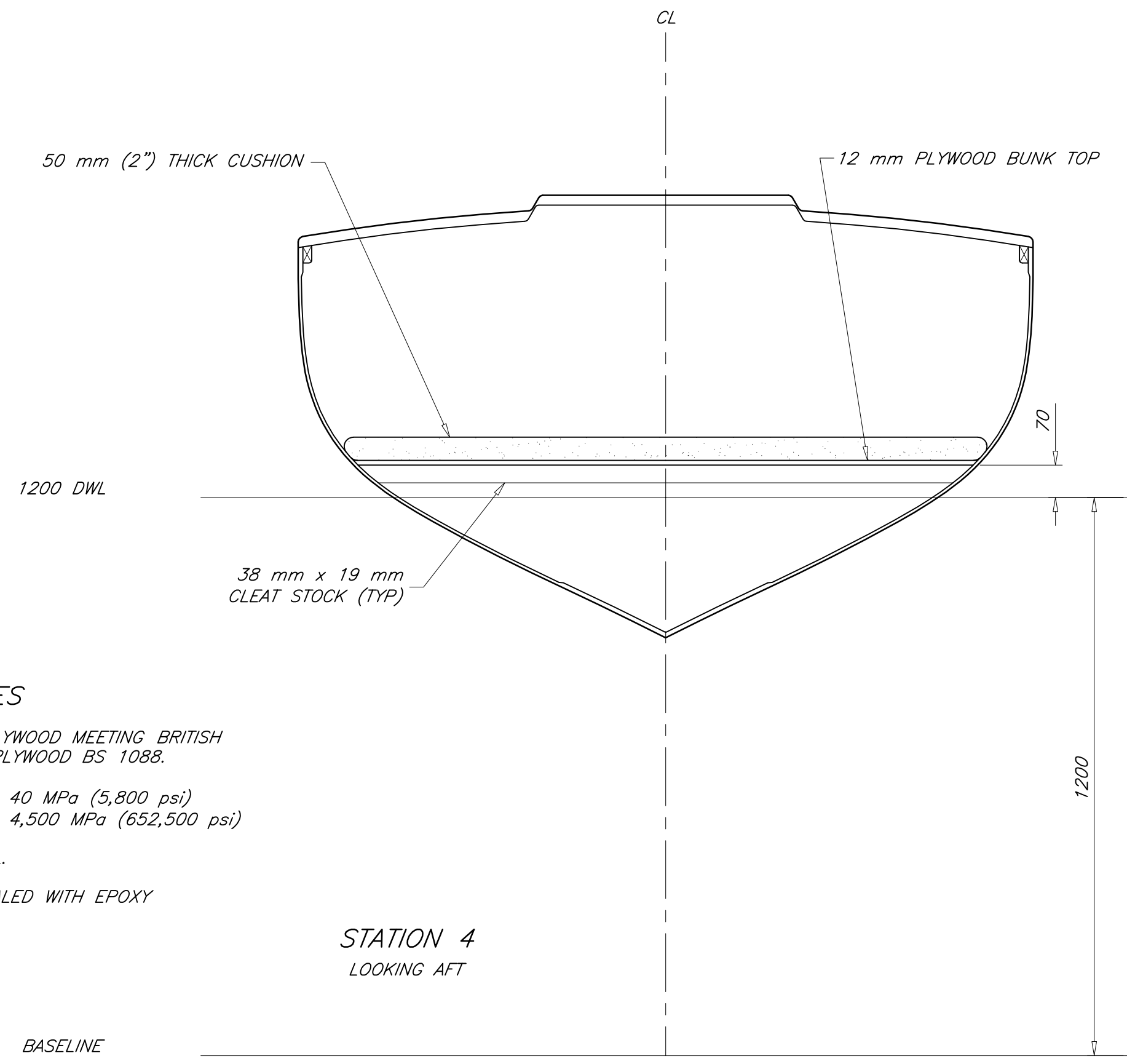
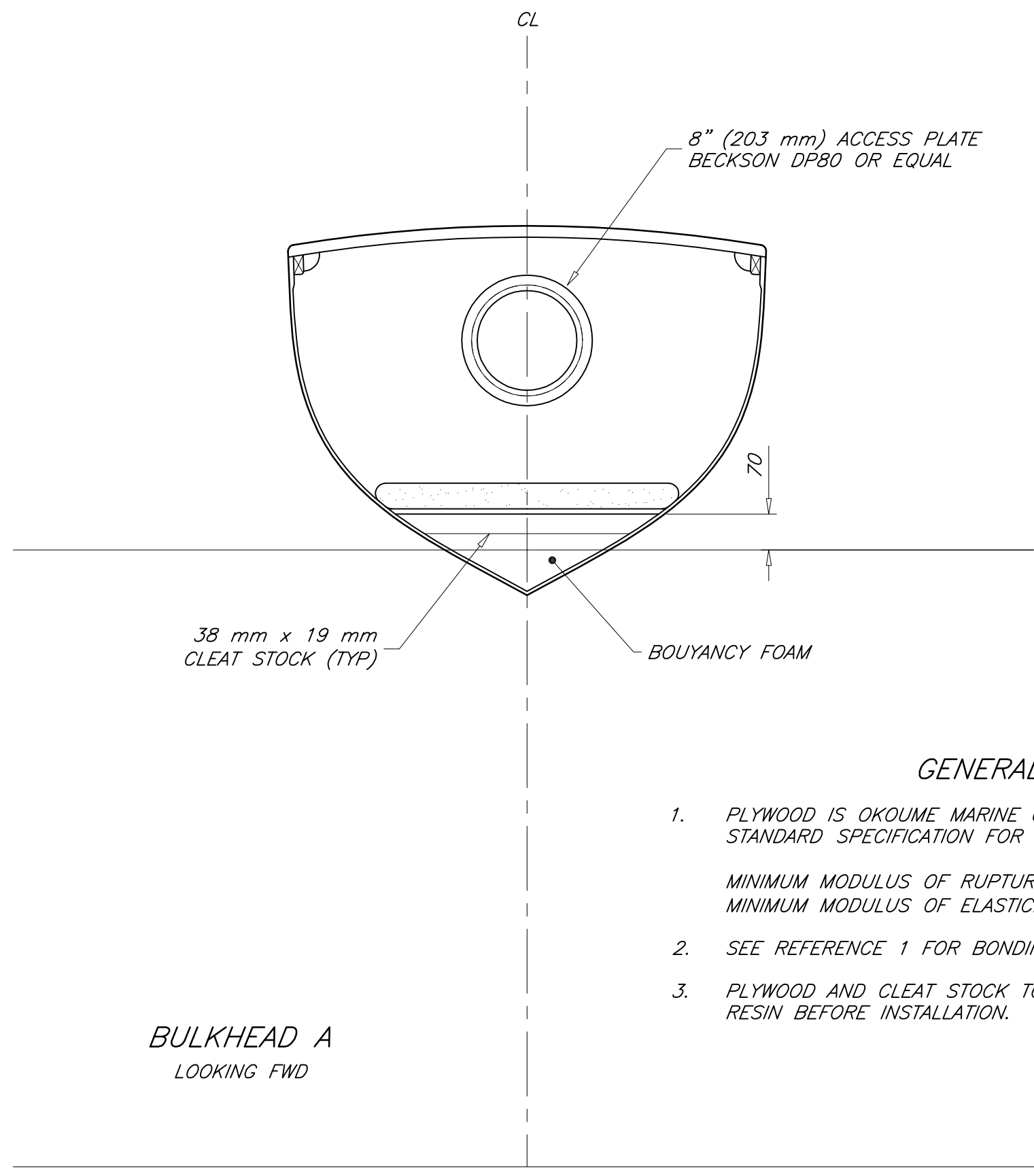
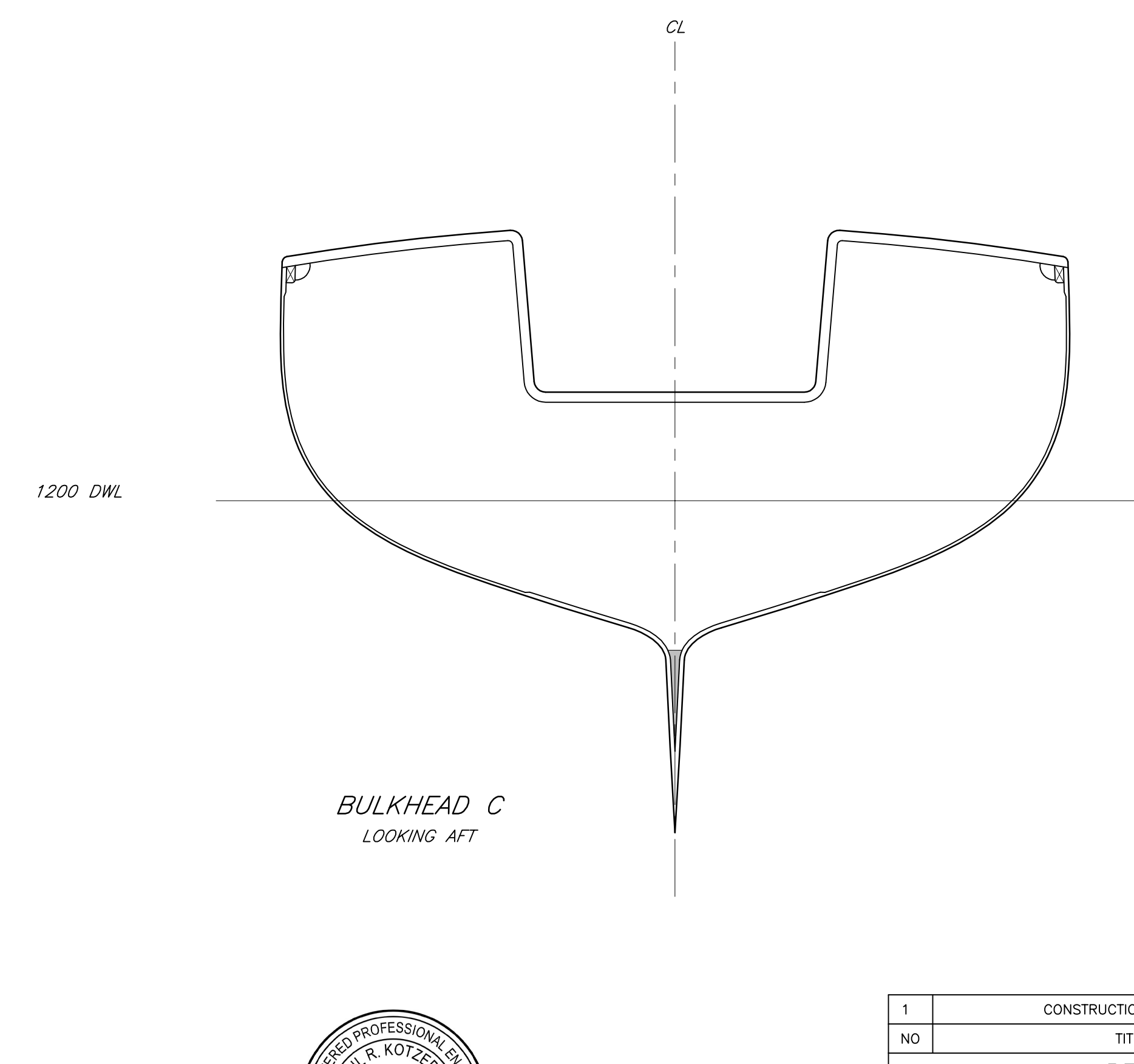
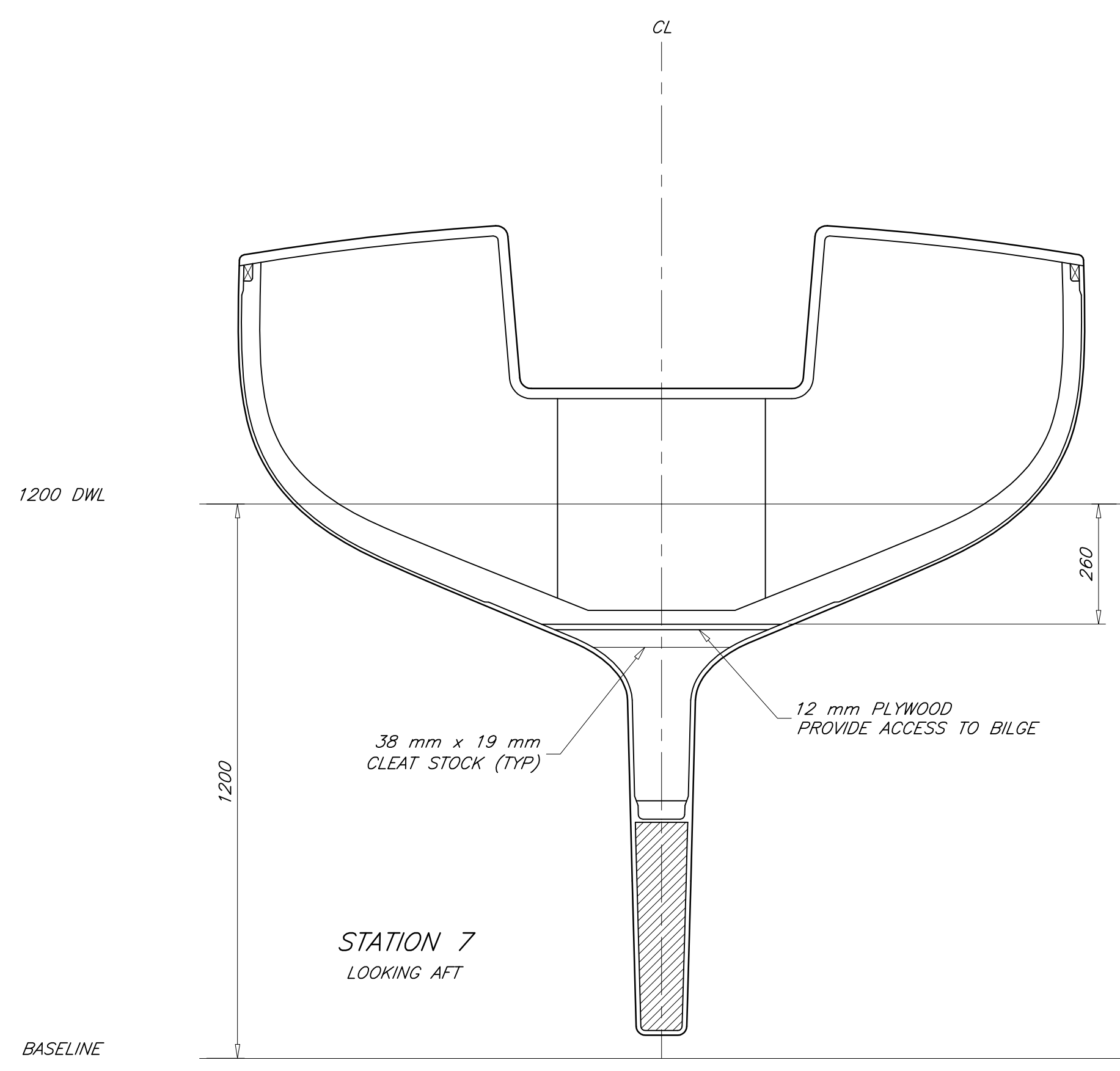
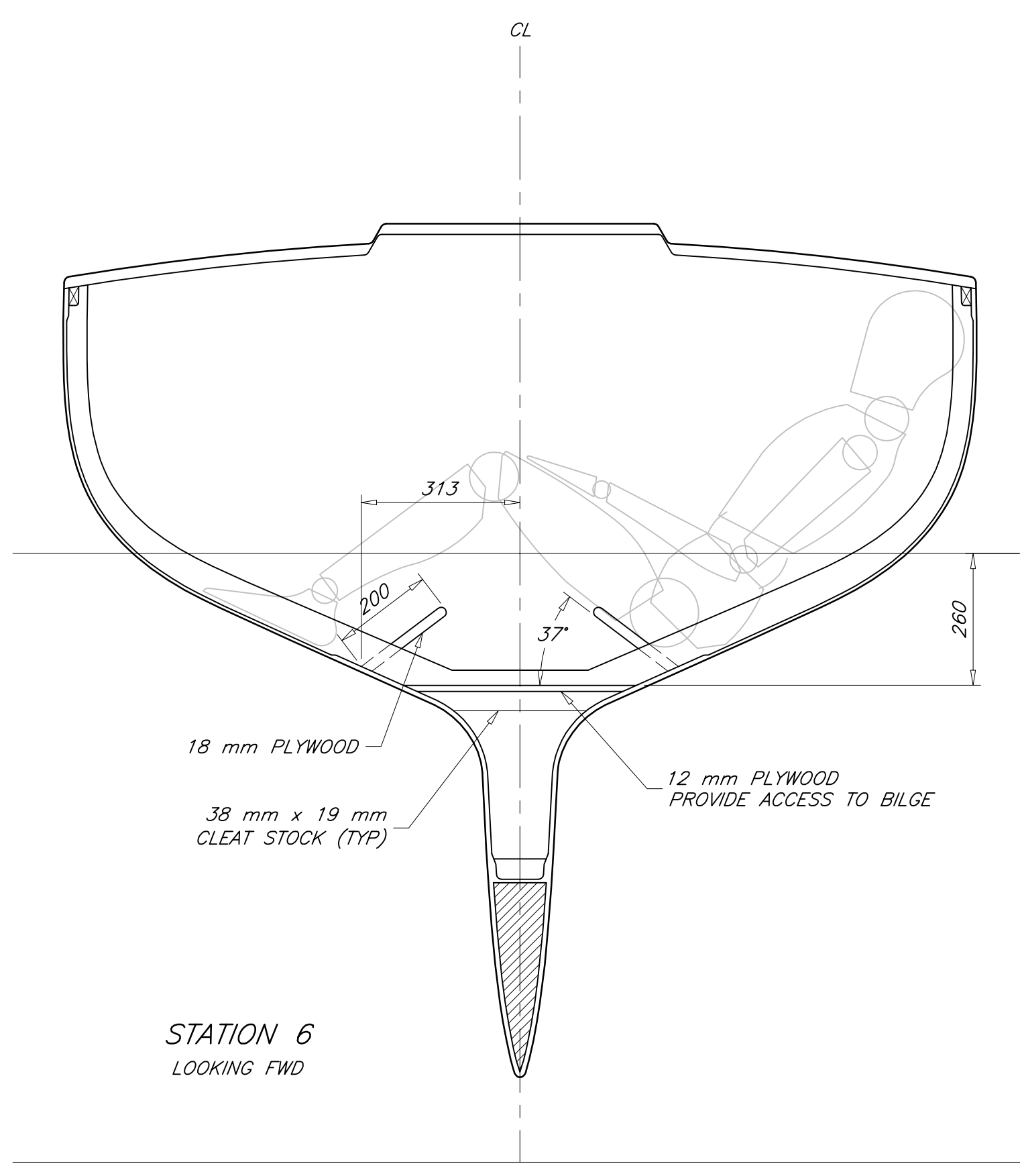


REVISIONS				
ZONE	REV	DESCRIPTION	DATE	APPROVED
ALL	-	ORIGINAL ISSUE	07 FEB 10	P. KOTZEBUE
ALL	A	GENERAL DESIGN UPDATE	06 SEP 10	P. KOTZEBUE



- GENERAL NOTES**
- PLYWOOD IS OKOUME MARINE GRADE PLYWOOD MEETING BRITISH STANDARD SPECIFICATION FOR MARINE PLYWOOD BS 1088.
 MINIMUM MODULUS OF RUPTURE = 40 MPa (5,800 psi)
 MINIMUM MODULUS OF ELASTICITY = 4,500 MPa (652,500 psi)
 - SEE REFERENCE 1 FOR BONDING DETAIL.
 - PLYWOOD AND CLEAT STOCK TO BE SEALED WITH EPOXY RESIN BEFORE INSTALLATION.



THIS DRAWING REMAINS THE PROPERTY OF PAUL R. KOTZEBUE, PE AND MAY NOT BE USED FOR ANY PURPOSE WITHOUT WRITTEN CONSENT.

1		CONSTRUCTION DETAILS		06-C3					
NO		TITLE		DWG NO					
REFERENCES									
STOCK PLANS									
8.50 METER SKERRY CRUISER									
JOINER SECTIONS									
DRAFTER:	PK	DATE:	07 FEB 10	SIZE:	ARCH D	DWG NO.	06-B3	REV:	A
CHECKER:	PK	DATE:	07 FEB 10	SCALE:	1 : 10	SWBS	--	SHEET:	1 OF 1