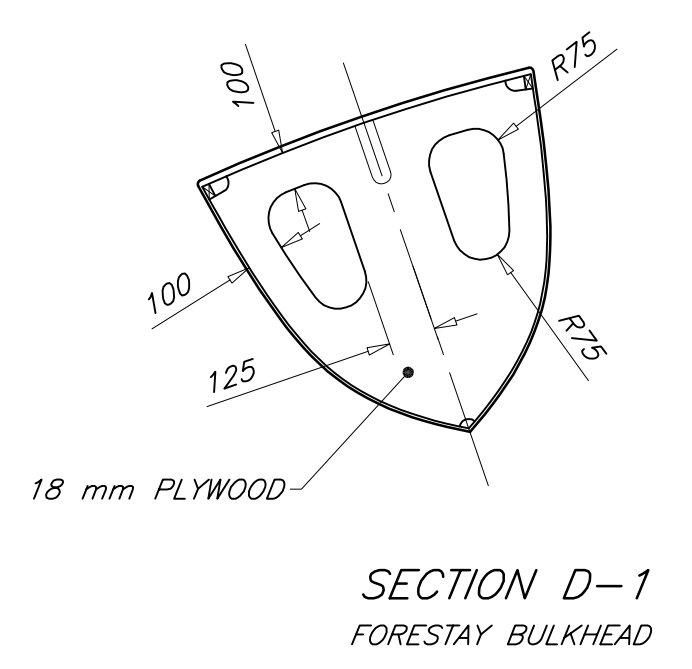
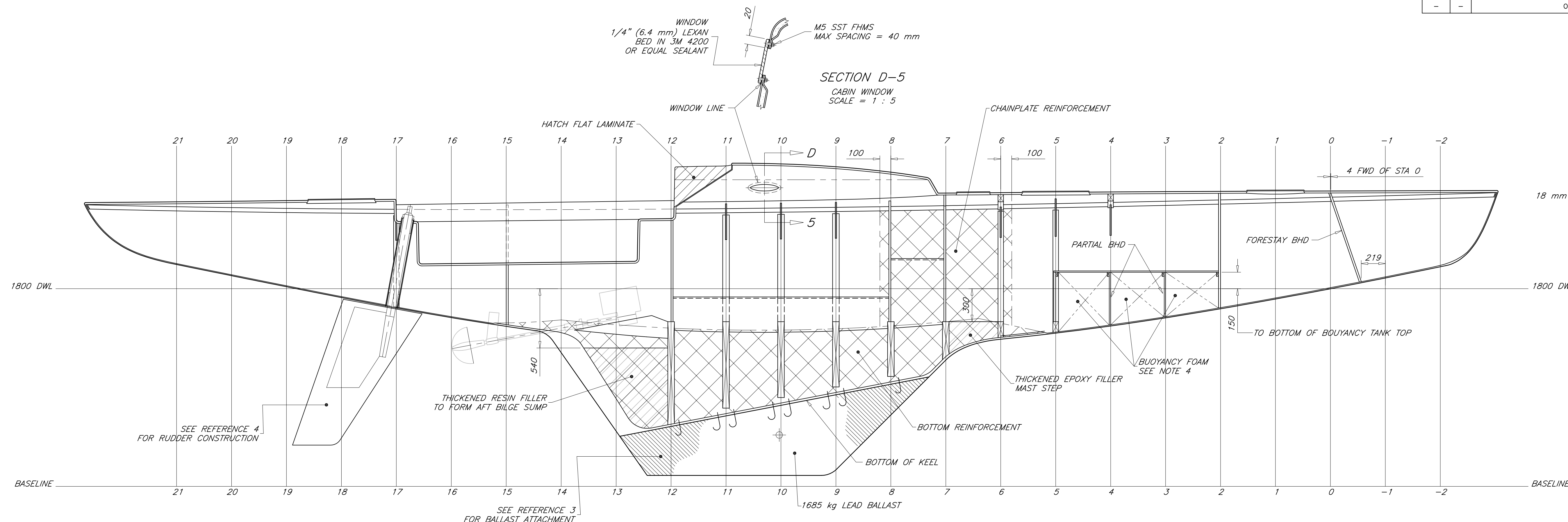


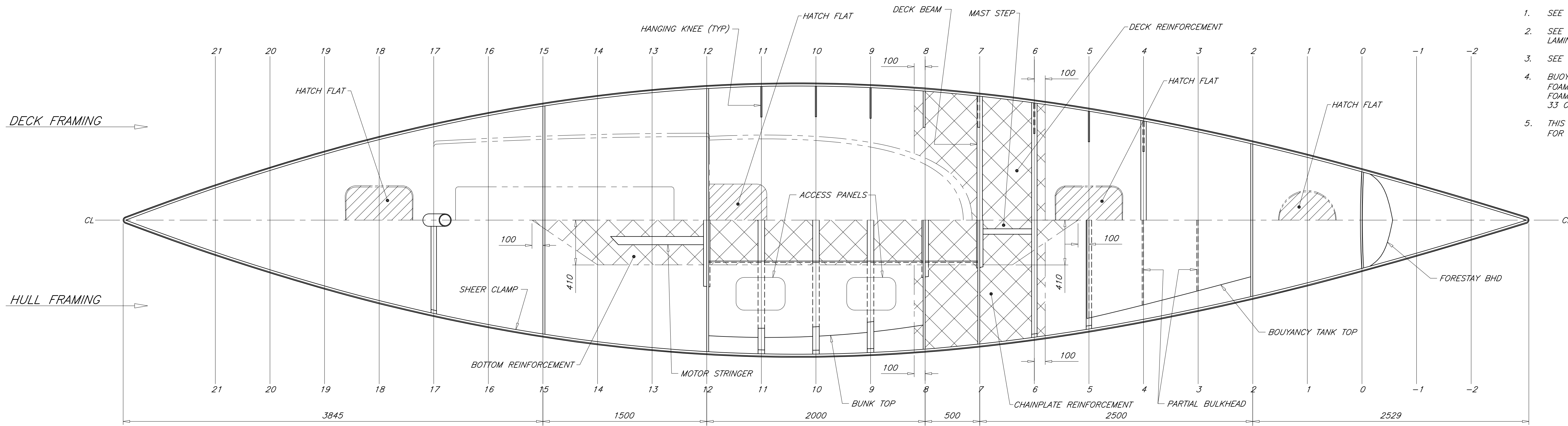
REVISIONS				
ZONE	REV	DESCRIPTION	DATE	APPROVED
-	-	ORIGINAL ISSUE	19 MAY 10	-



ELEVATION C-5  
PORT INBOARD PROFILE

GENERAL NOTES

- SEE REFERENCE 1 FOR MATERIAL NOTES.
- SEE REFERENCE 2 FOR FRAME, FLOOR, AND DECK BEAM LAMINATE SCHEDULE.
- SEE REFERENCE 2 FOR HULL TO DECK CONNECTION DETAILS.
- BUOYANCY FOAM IS TWO PART LIQUID EXPANDING URETHANE FOAM. FOAM DENSITY = 32 kg/m<sup>3</sup> (2 lb/ft<sup>3</sup>). FOAM TO COMPLY WITH U.S. COAST GUARD REGULATION 33 CFR 183.114.
- THIS DESIGN DOES NOT COMPLY WITH THE SSKF RULES FOR SKERRY CRUISERS (SQUARE METER YACHTS).



LAMINATE SCHEDULE

REGION	LAYUP	THICK	
A	HULL	(5) x E-LTM 2408	8.5 mm
B	BOTTOM REINFORCEMENT	"A" + (4) x E-LTM 2408	15.4 mm
C	CHAINPLATE REINFORCEMENT	"A" + (4) x E-LTM 2408	15.4 mm
D	BOTTOM OF KEEL	"B" + (3) x E-LTM 2408	20.5 mm
E	DECK, CABIN, AND COCKPIT	(2) x E-LTM 1808 (OUTER) 1/2" (12.7 mm) A550 (2) x E-LTM 1808 (INNER)	17.7 mm
F	DECK REINFORCEMENT	(2) x E-LTM 1808 (OUTER) 1/2" (12.7 mm) A550 (4) x E-LTM 1808 (INNER)	20.6 mm
G	HATCH FLATS	(5) x E-LTM 1808	7.2 mm

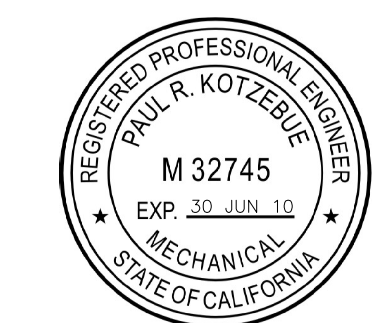
PLAN A-5  
HULL AND DECK FRAMING

NO	TITLE	DWG NO
4	RUDDER DETAILS	05-A4
3	KEEL DETAILS	05-A3
2	CONSTRUCTION DETAILS	05-C3
1	CONSTRUCTION SECTIONS	05-C2

REFERENCES

STOCK PLANS

12.9 METER SKERRY CRUISER  
FRAMING PLAN



PAUL R. KOTZEBUE, PE  
MECHANICAL ENGINEER  
Encinitas, California USA

THIS DRAWING REMAINS THE PROPERTY OF PAUL R. KOTZEBUE, PE AND MAY NOT BE USED FOR ANY PURPOSE WITHOUT WRITTEN CONSENT.

DRAFTER	DATE	SIZE	DWG NO.	REV.
PK	19 MAY 10	ARCH D	05-C1	-
CHECKER	DATE	SCALE	SWBS	SHEET
PK	19 MAY 10	1 : 20	-	1 OF 1