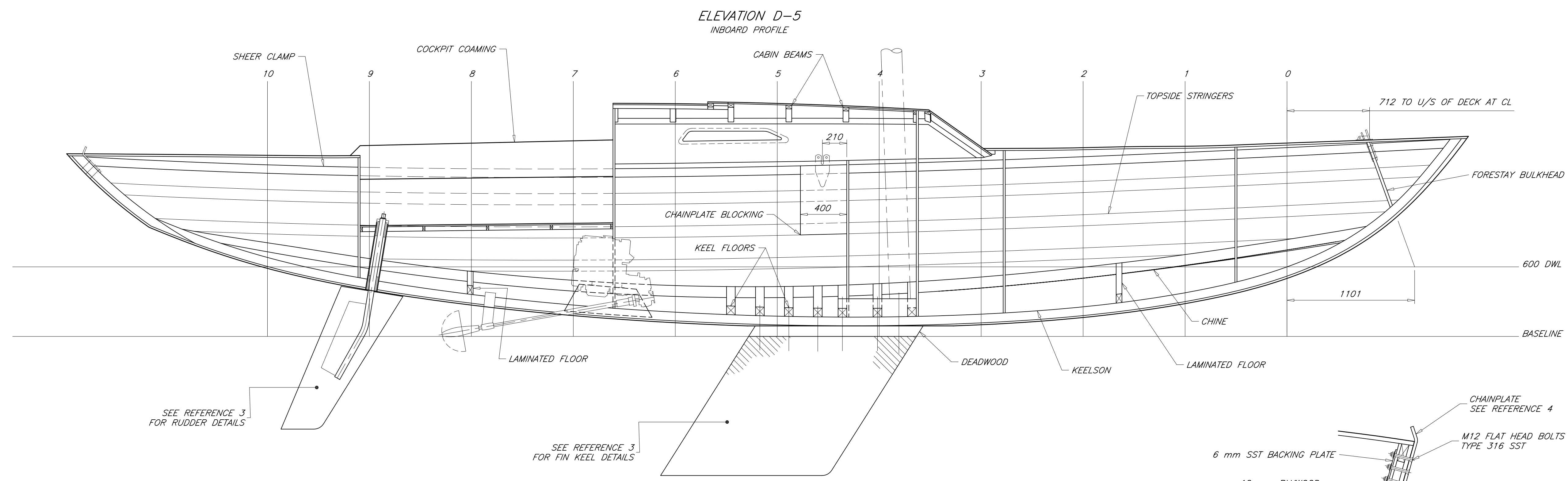
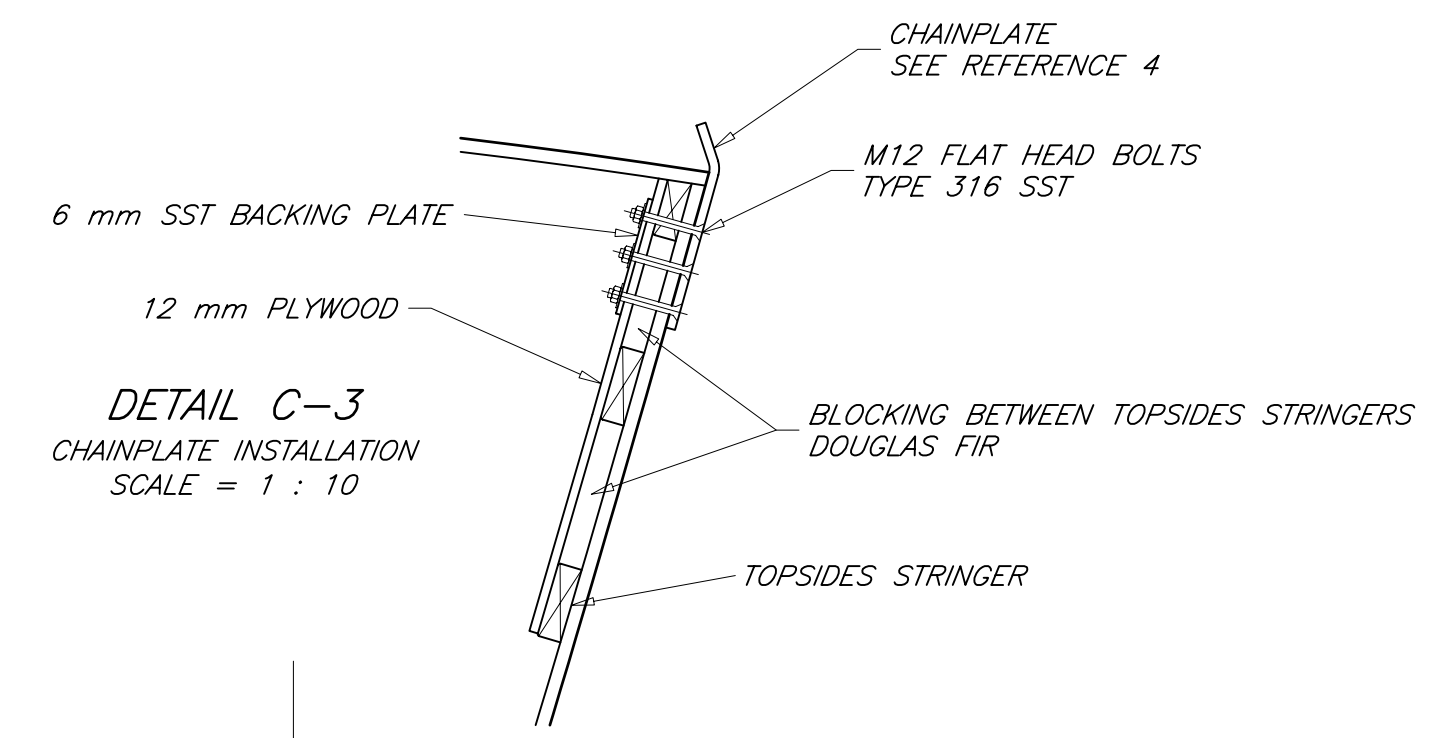


REVISIONS				
ZONE	REV	DESCRIPTION	DATE	APPROVED
ALL	-	ORIGINAL ISSUE	17 AUG 09	P. KOTZEBUE



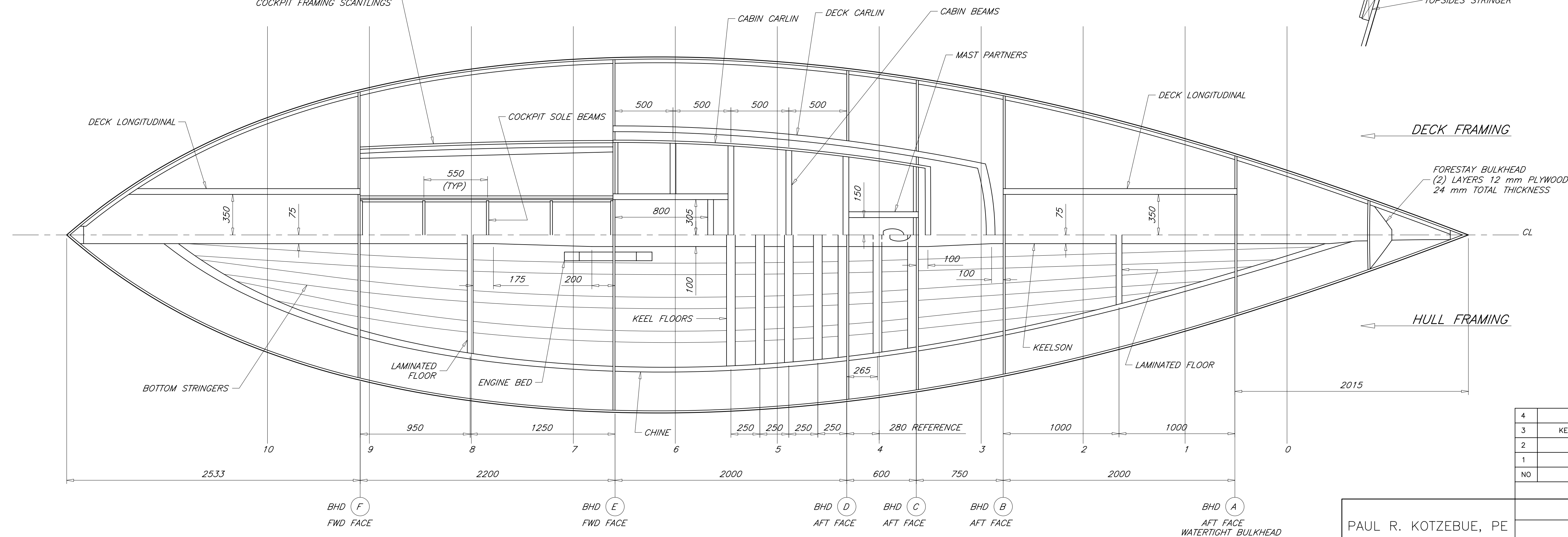
SEE REFERENCE 3 FOR RUDDER DETAILS

SEE REFERENCE 3 FOR FIN KEEL DETAILS



**GENERAL NOTES**  
 1. SEE REFERENCE 1 FOR MATERIAL PROPERTIES AND SCANTLINGS OF STRUCTURAL MEMBERS.

SEE REFERENCE 1 FOR COCKPIT FRAMING SCANTLINGS



*Paul R. Kotzebue*

NO	TITLE	DWG NO
4	CHAINPLATES	03-D2
3	KEEL, RUDDER, AND ENGINE INSTALLATION	03-E1
2	BULKHEADS	03-C3
1	CONSTRUCTION SECTIONS	03-C2

REFERENCES	
STOCK PLANS	
13.5 METER PLYWOOD SLOOP	
FRAMING PLAN	

PAUL R. KOTZEBUE, PE  
 MECHANICAL ENGINEER  
 Encinitas, California USA

DRAFTER: PK	DATE: 17 AUG 09	SIZE: ARCH D	DWG NO.	REV: -
CHECKER: PK	DATE: 17 AUG 09	SCALE: 1 : 20	SWBS: --	SHEET: 1 OF 1

THIS DRAWING REMAINS THE PROPERTY OF PAUL R. KOTZEBUE, PE AND MAY NOT BE USED FOR ANY PURPOSE WITHOUT WRITTEN CONSENT.